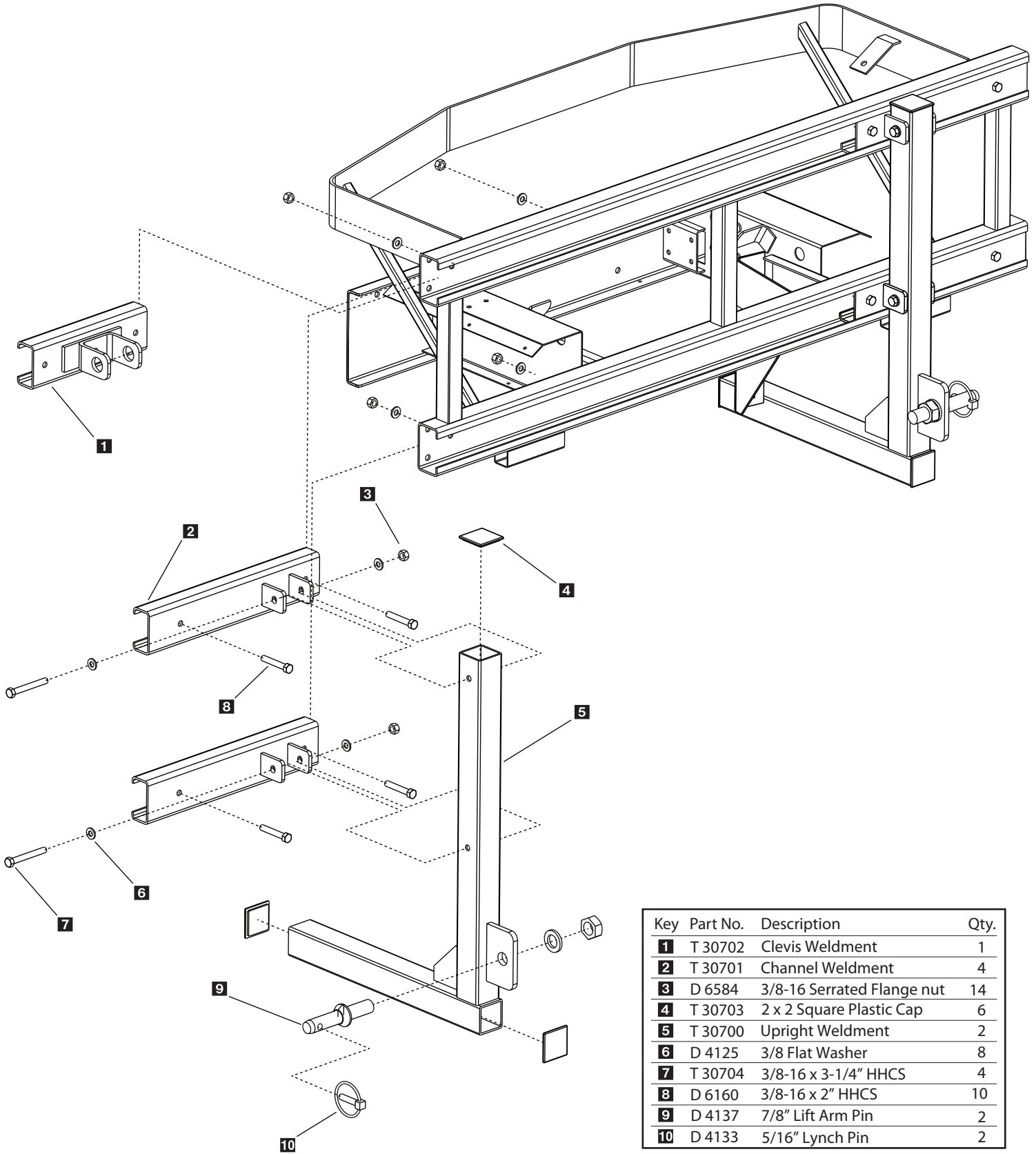


# TPM-275

## Parts Breakdown

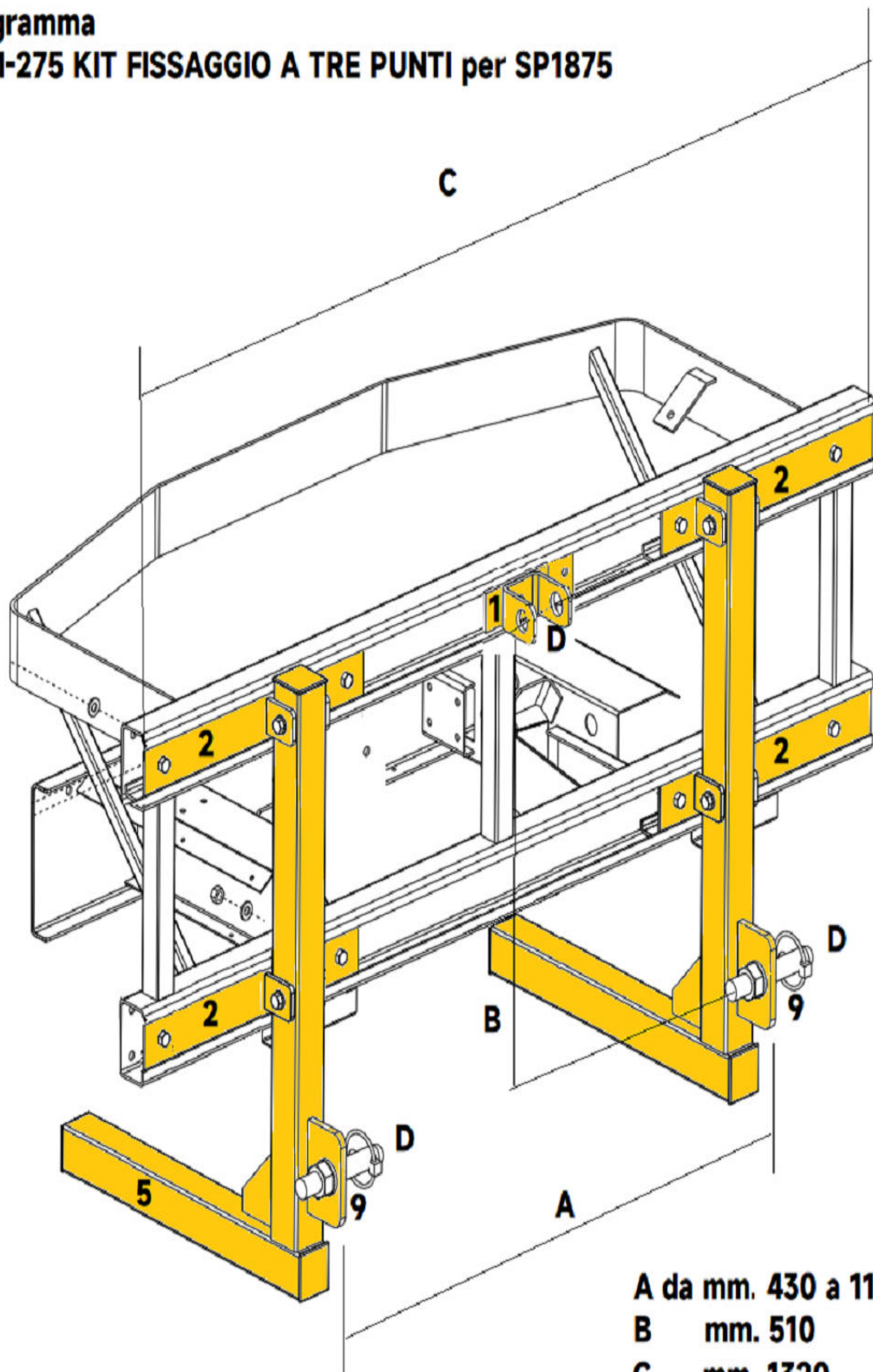


Key	Part No.	Description	Qty.
1	T 30702	Clevis Weldment	1
2	T 30701	Channel Weldment	4
3	D 6584	3/8-16 Serrated Flange nut	14
4	T 30703	2 x 2 Square Plastic Cap	6
5	T 30700	Upright Weldment	2
6	D 4125	3/8 Flat Washer	8
7	T 30704	3/8-16 x 3-1/4" HHCS	4
8	D 6160	3/8-16 x 2" HHCS	10
9	D 4137	7/8" Lift Arm Pin	2
10	D 4133	5/16" Lynch Pin	2

# TPM-275

## Parts Breakdown

### Diagramma TPM-275 KIT FISSAGGIO A TRE PUNTI per SP1875



A da mm. 430 a 1140  
B mm. 510  
C mm. 1320  
D diam. mm. 20